

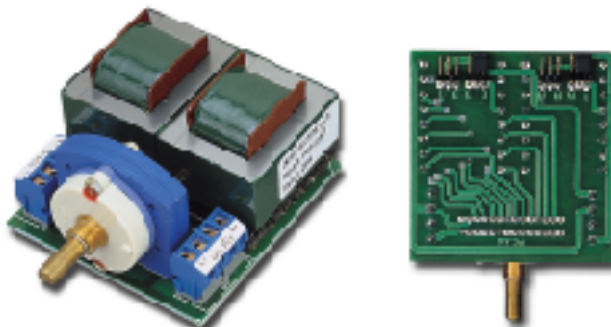
Stereo Volume Controls In-wall

E Series Impedance type

VC-1225EIU: 12step, 42db, 25W(RMS); 75W(Music power)

VC-1250EIU: 12step, 42db, 50W(RMS); 150W(Music power)

UL
LISTED
AUDIO/VIDEO
APPARATUS
54ZJ
E218471



Step	1	2	3	4	5	6	7	8	9	10	11	12	
Attenuation													
12Steps	db	OFF	-42	-36	-30	-24	-18	-15	-12	-9	-6	-3	0

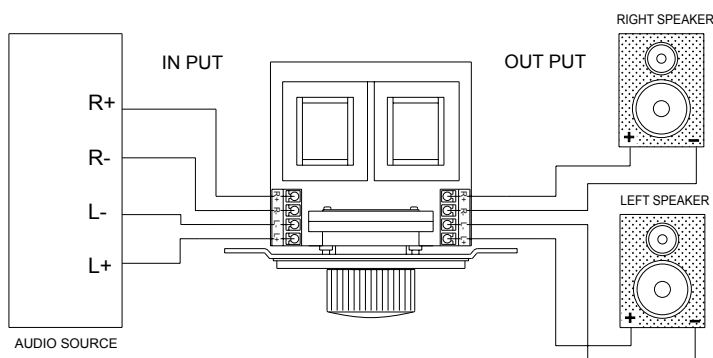
• Frequency response is 30-20 KHZ-2db.

INSTRUCTION

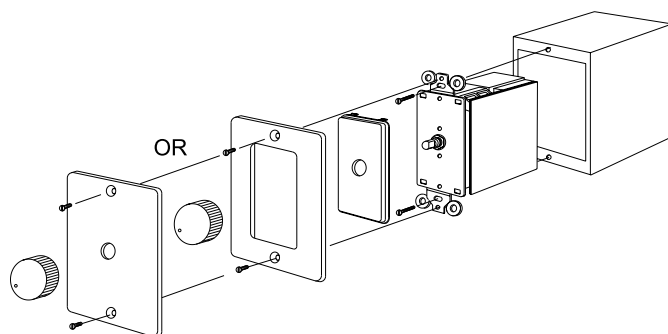
1. Remove about 1/4" of insulation from the ends of all wires to be connected to the volume control and twist the exposed strands.
2. The removable connections accept up to 14 gauge wire.
3. Loose the set screws on the Volume Control.
4. Connect the leads from AMPLIFIER to the set screws on the volume control labeled INPUT, with the LEFT L (+) and L(-) and RIGHT R (+) and R (-) wires. Insert in the appropriately marked opening. Tighten the screws firmly.
5. Connect SPEAKER wires to the set screws on the volume control labeled OUTPUT, observing + (positive) and - (negative) polarity of left and right speaker.
6. Install the completed assembly in the junction box. Insert carefully to avoid excessive strain on the set screws. If necessary, pre-dress the wires for easiest mounting.

Be careful not to allow speaker wire strands To short out against case or other speaker wire.

CONNECTION DIAGRAM



ASSEMBLY DIAGRAM



VOLUME SET AT MAXIMUM

IMPEDANCE JUMPER SETTINGS TO MATCH BACK TO 8Ω AT AMPLIFIER				
SPEARK OHMS(Ω)	2X	4X	8X	16X
8	2 PAIR	4 PAIR	8 PAIR	16 PAIR
4	1 PAIR	2 PAIR	4 PAIR	8 PAIR

IMPEDANCE JUMPER SETTINGS TO MATCH BACK TO 4Ω AT AMPLIFIER				
SPEARK OHMS(Ω)	2X	4X	8X	16X
8	4 PAIR	8 PAIR	16 PAIR	32 PAIR
4	2 PAIR	4 PAIR	8 PAIR	16 PAIR